

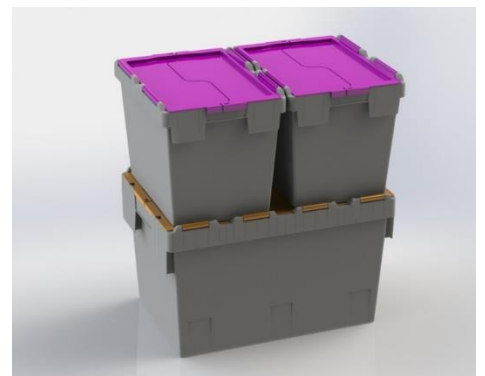
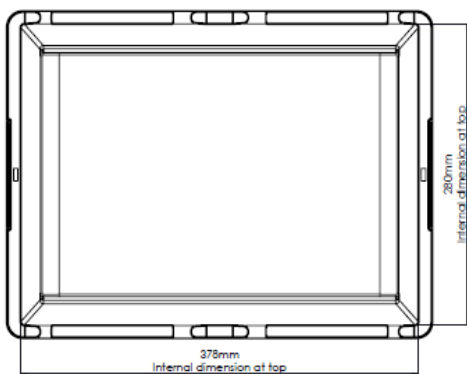
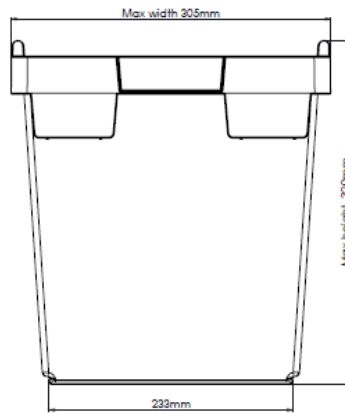
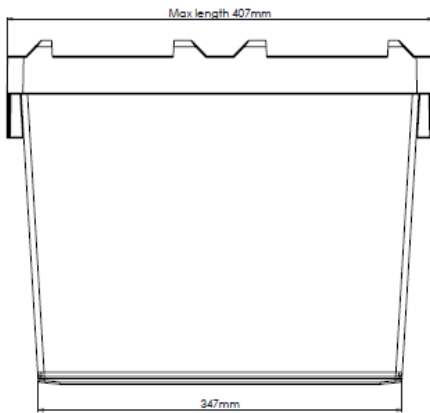


VERSATOTE

Versatote™, the flexible solution for storing and transporting your products

Attached Lid Container – 28L

- Manufactured from polypropylene copolymer for strength and endurance
- Stack when full, nest when empty for cost effective transportation
- Interference free lid movement, ideal for automatic closure devices
- Print options available
- Auto banding strap slots
- Tote identification via barcodes optional
- Optional colours available subject to min qty
- Tamper evident seal locations both ends



CASTING SUPPORT SYSTEMS LTD

Casting Support Systems Ltd

Paignton, Devon, UK

t. +44 (0)1803 226 961

e. sales@castingsupportsystems.co.uk

w. www.versatote.com

Technical data

Product reference.	ALC 28
Ext. dims.	400 x 300 x 300
Int. base dims.	335 x 235
Usable height	280
Weight Kg.	1.82